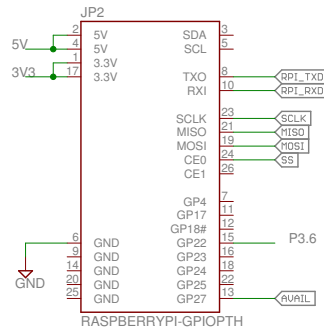
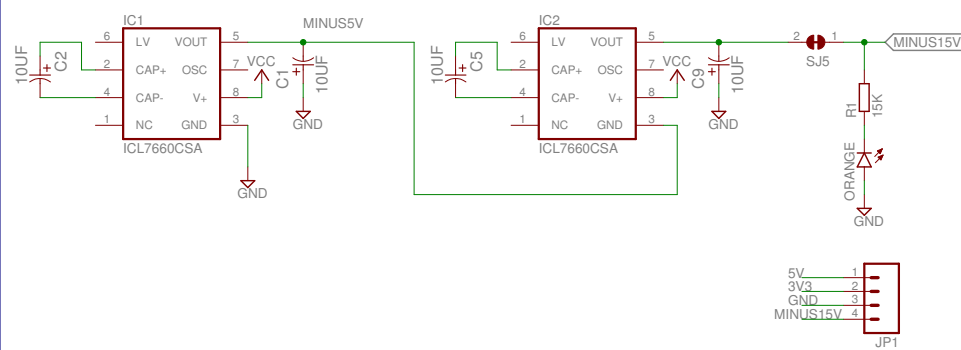


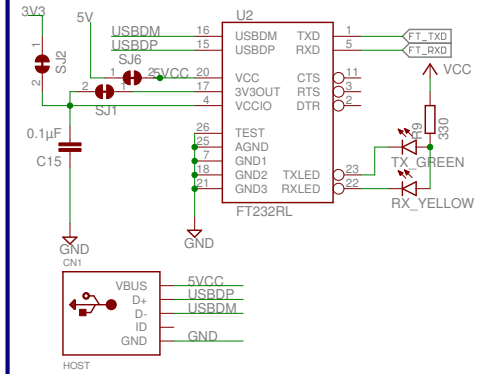
### GPIO header



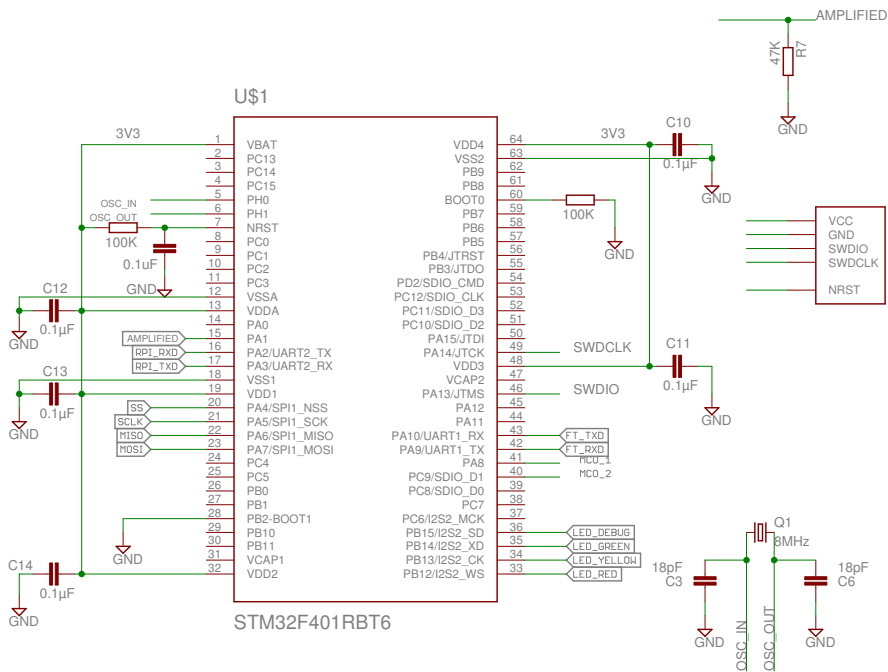
### DC/DC converter



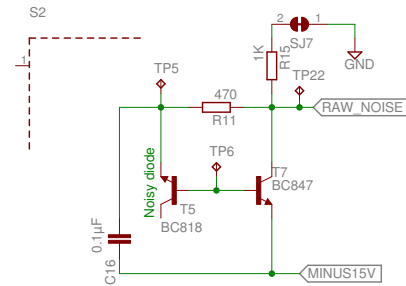
### Extra USB serial



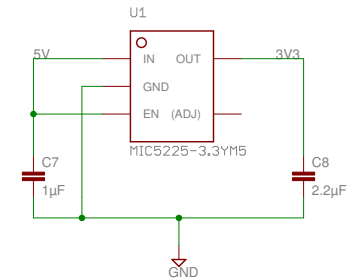
### STM32



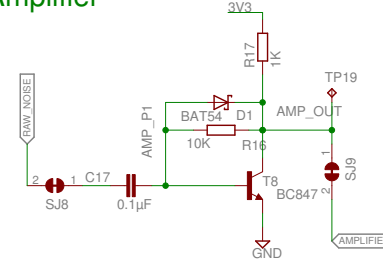
### Noise generator



### LDO



### Amplifier



### Indication

