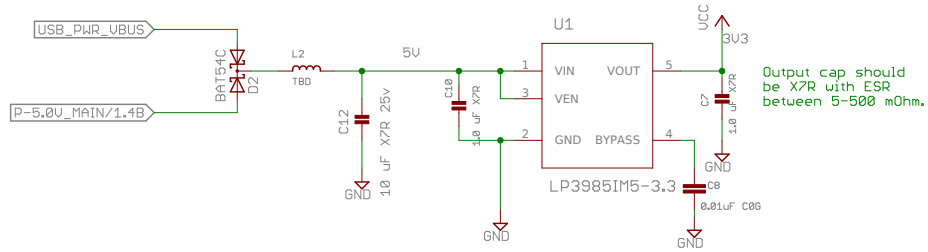
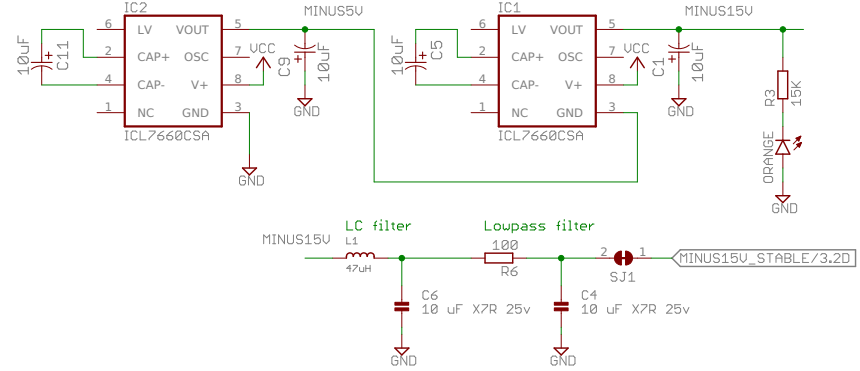


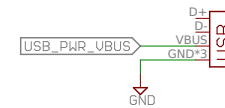
VCC 3.3V regulator



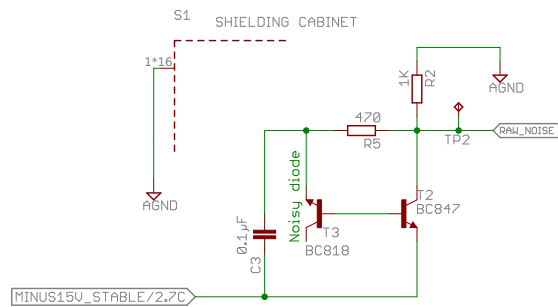
DC/DC converter producing -15v for Noise source



Optionally power whole board using micro USB connector

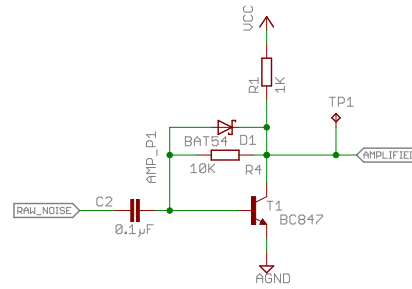


Noise generator

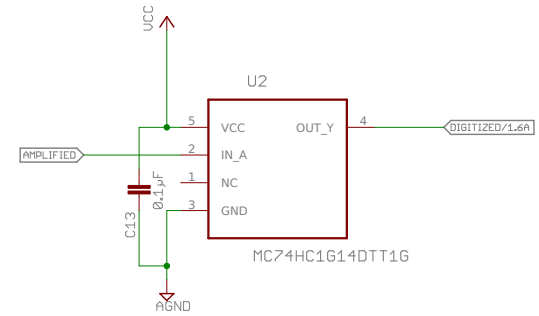


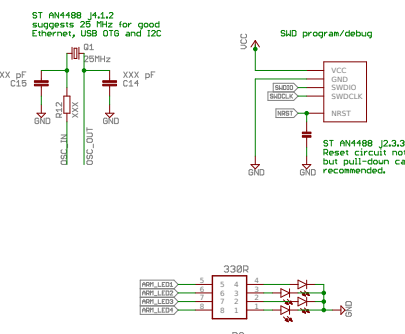
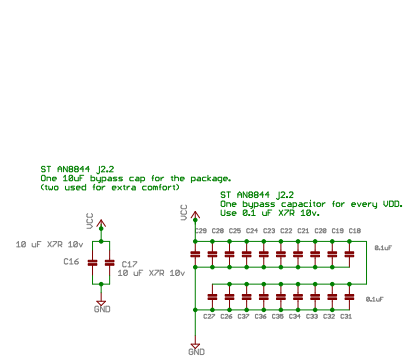
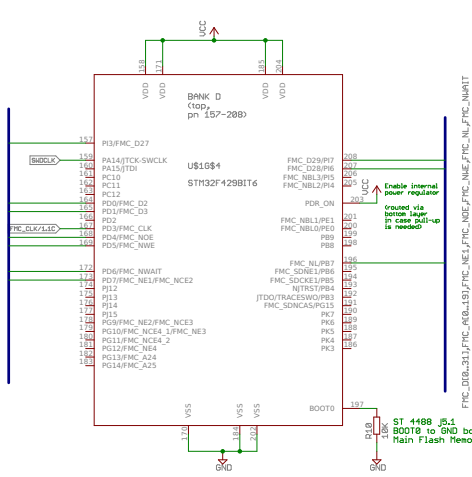
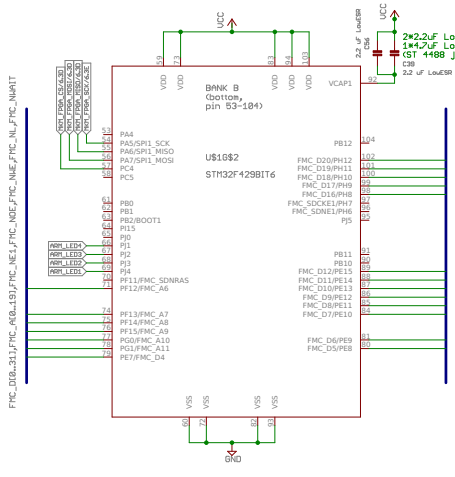
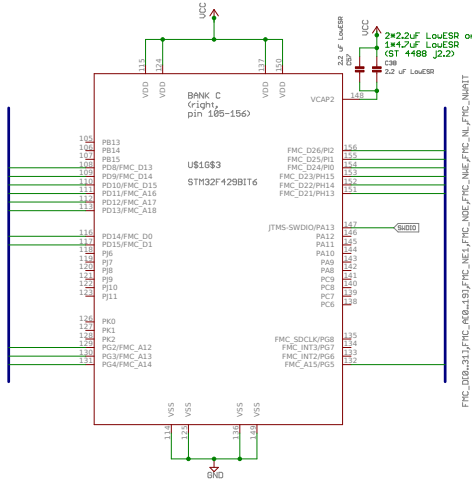
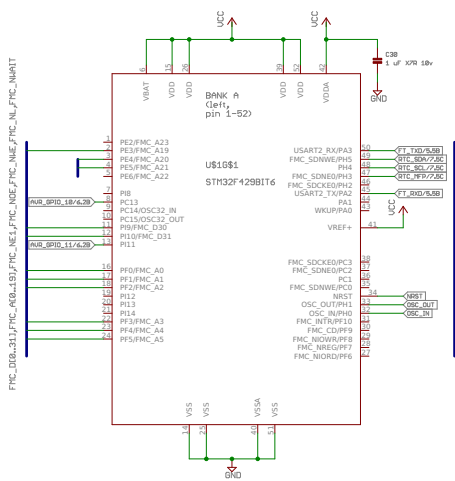
AGND is connected to GND on the board using polygons (found no other good way) - not visible in schematics.

Amplifier

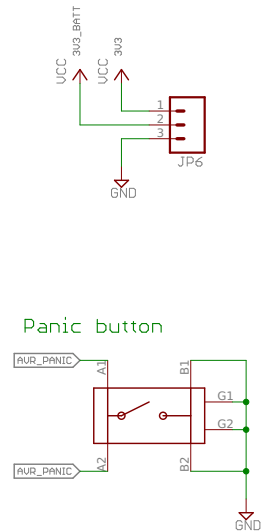
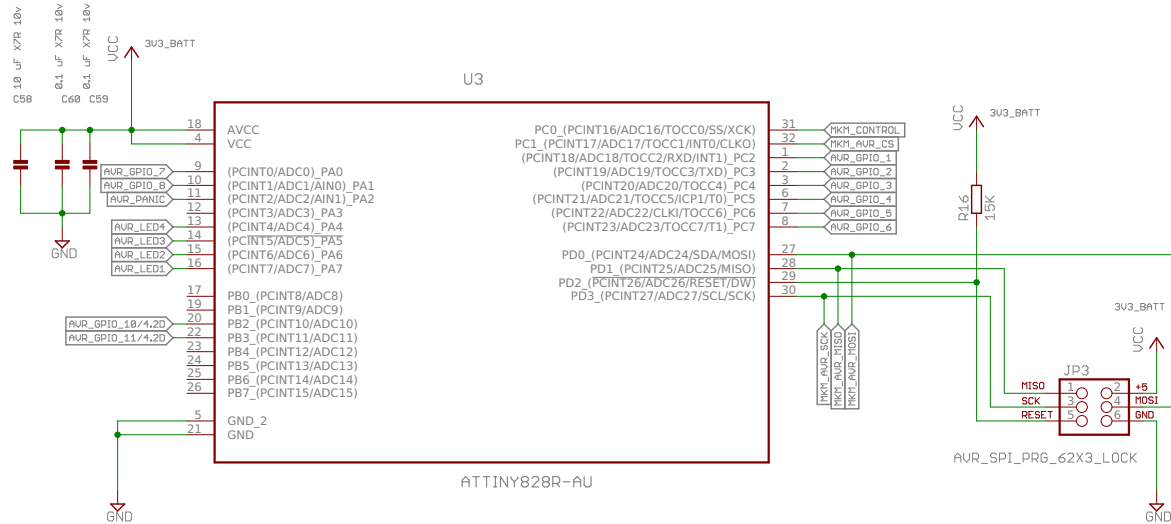


Digitizer



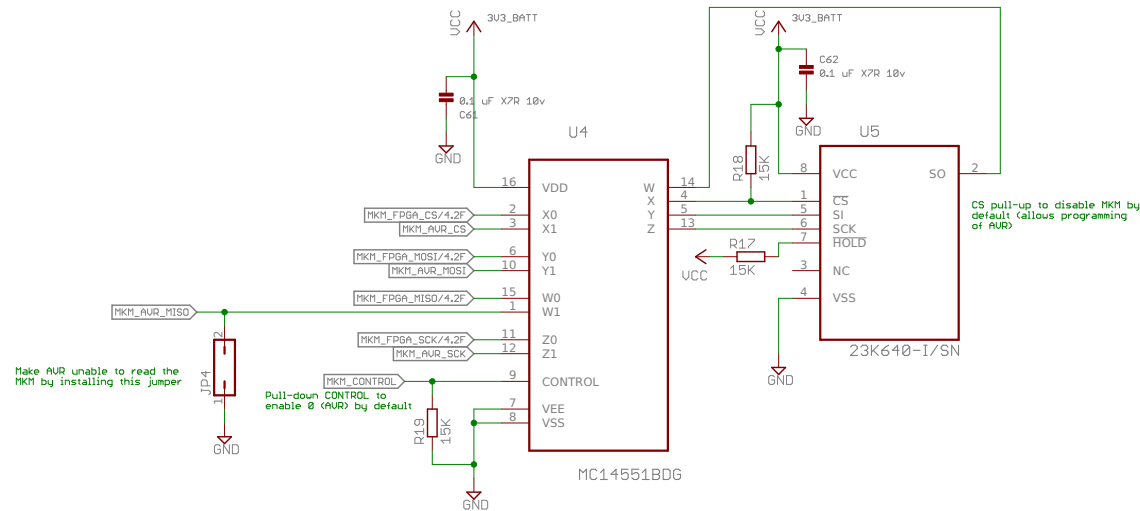


AVR Tiny Tamper Detect MCU

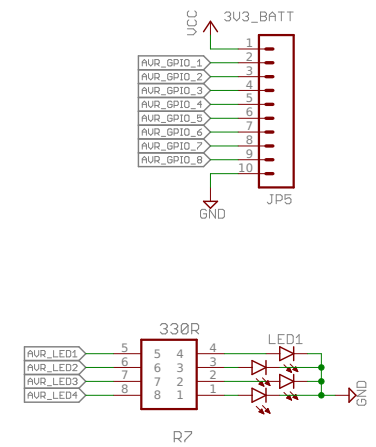


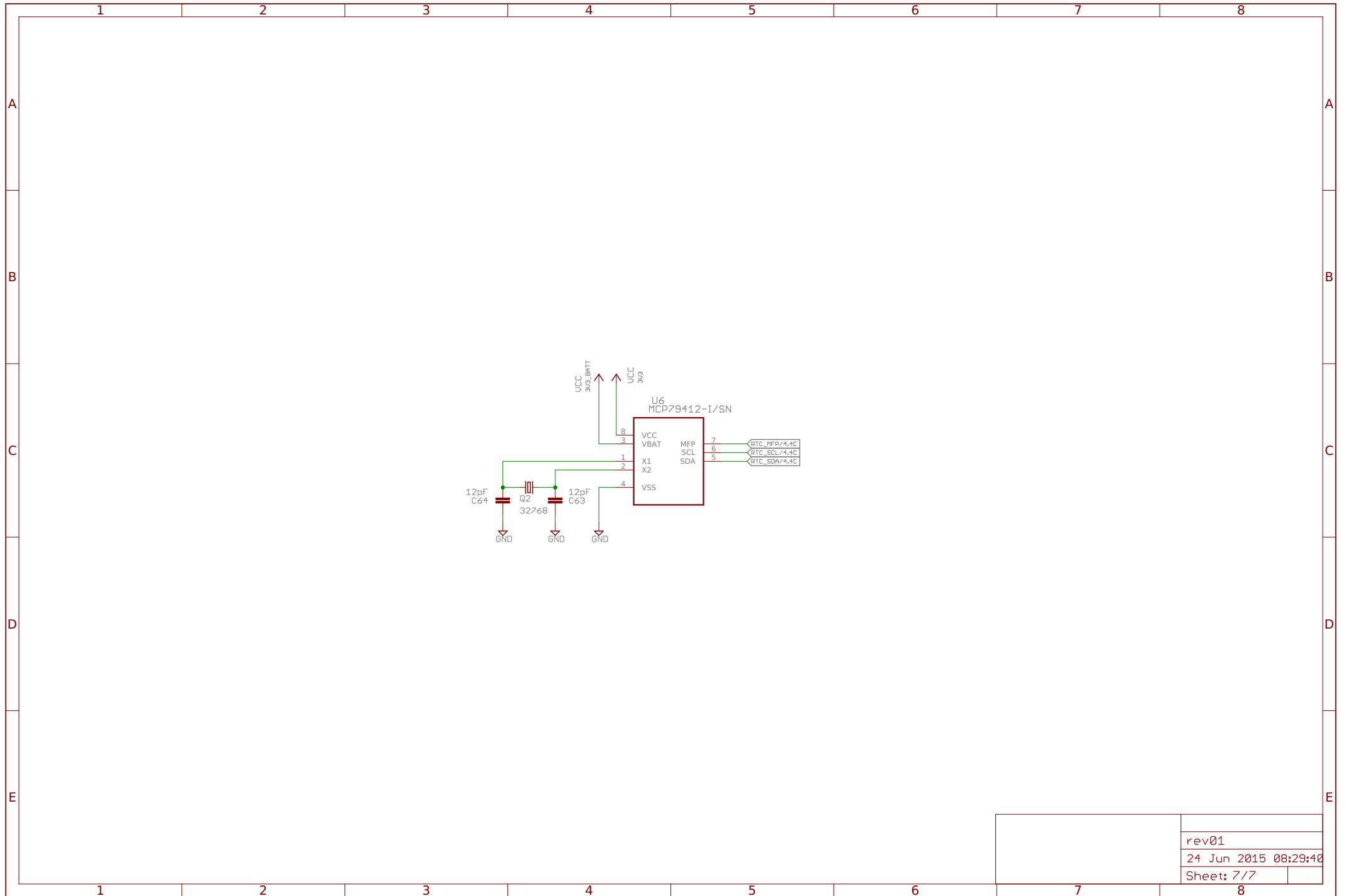
Analog switch

Master Key Memory



Expansion GPIO





rev01
24 Jun 2015 08:29:40
Sheet: 7/7