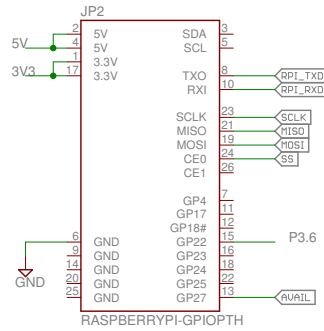
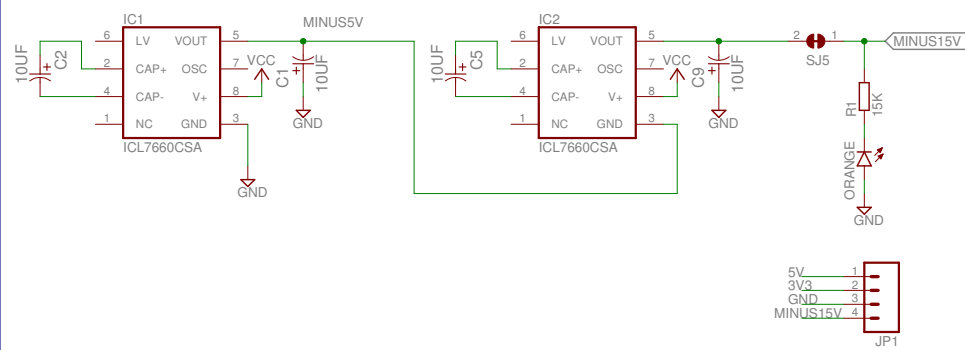


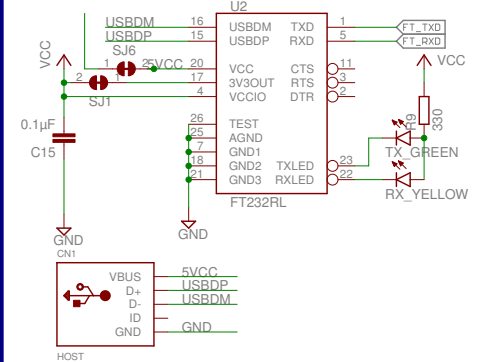
GPIO header



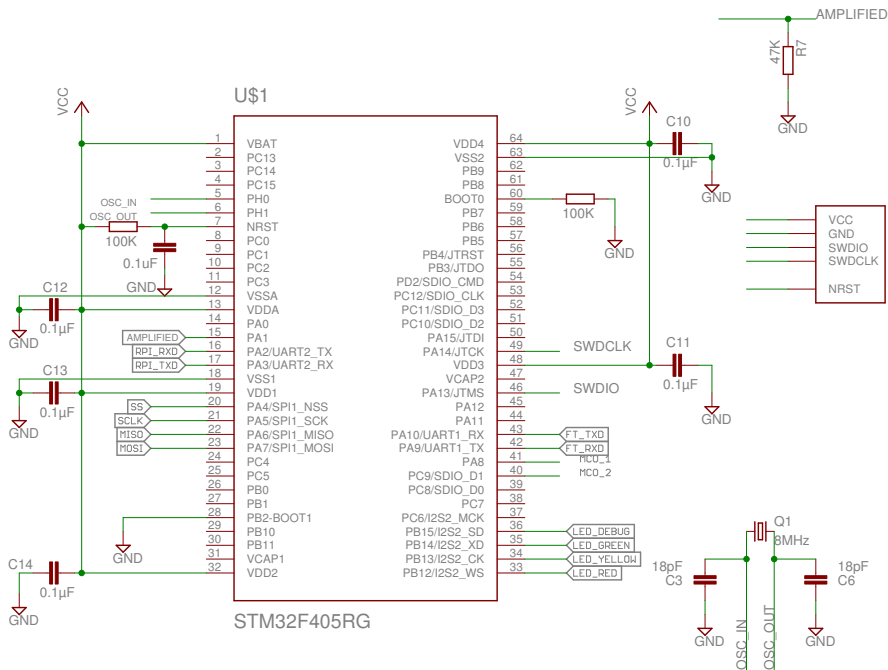
DC/DC converter



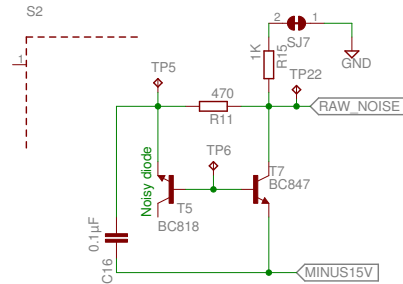
Extra USB serial



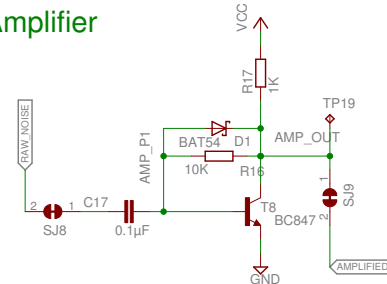
STM32



Noise generator



Amplifier



Extra

