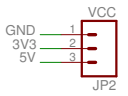
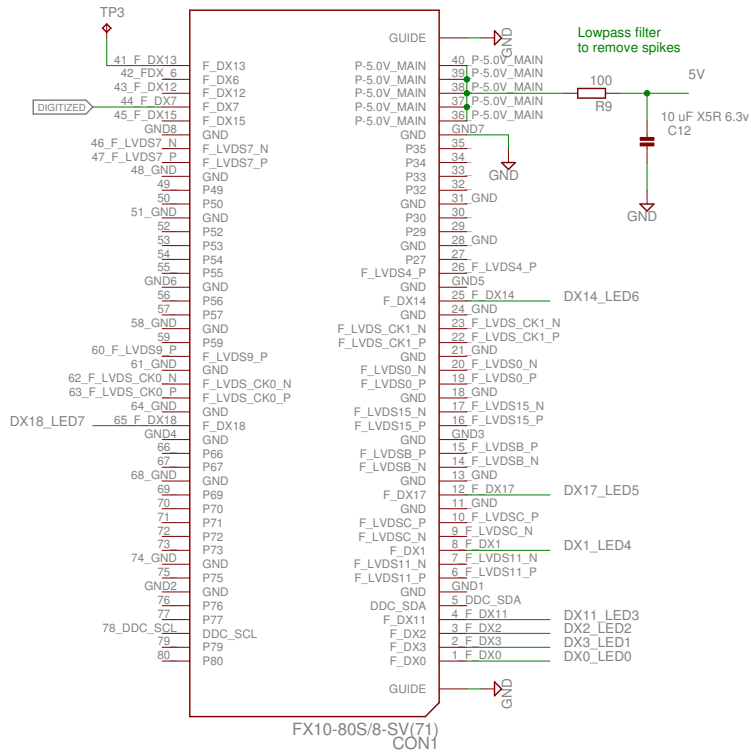
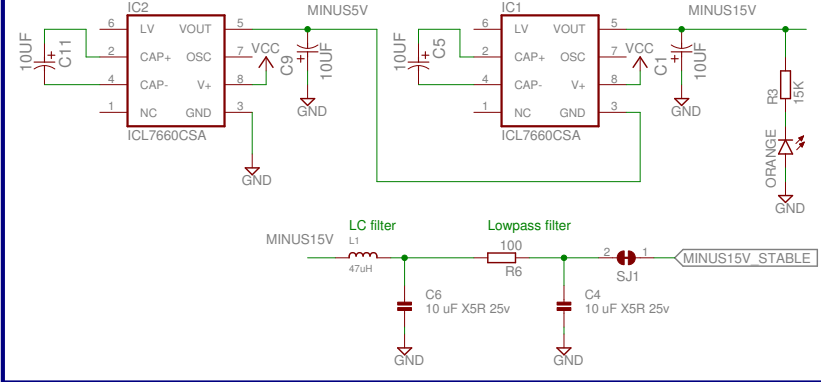


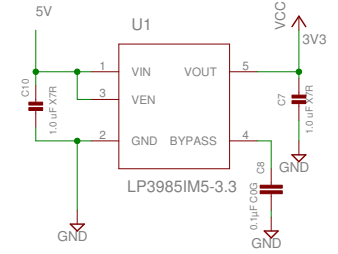
# Novena interface (stripped down GPBB board)



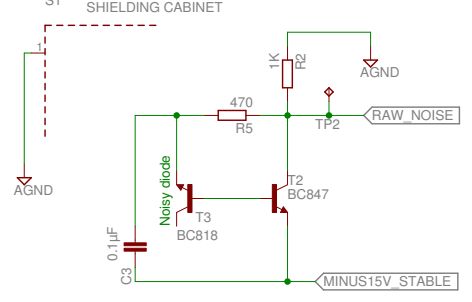
# DC/DC converter



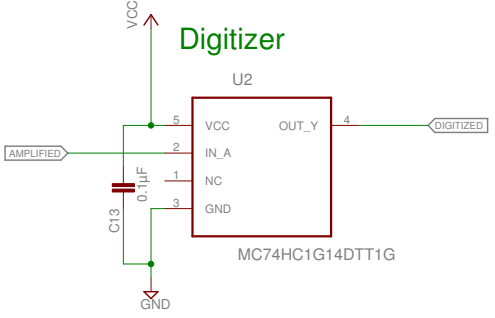
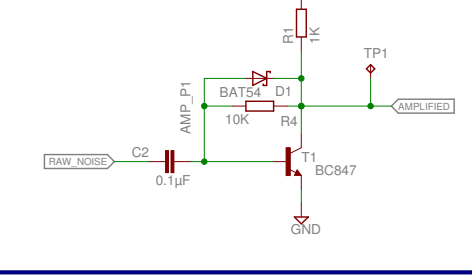
# VCC 3.3V regulator



# Noise generator



# Amplifier



# Extra

